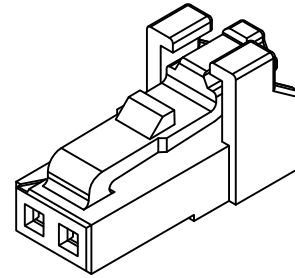


3P



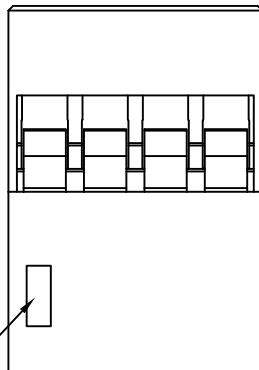
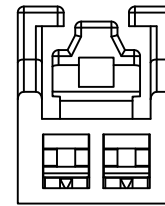
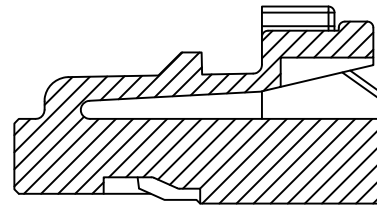
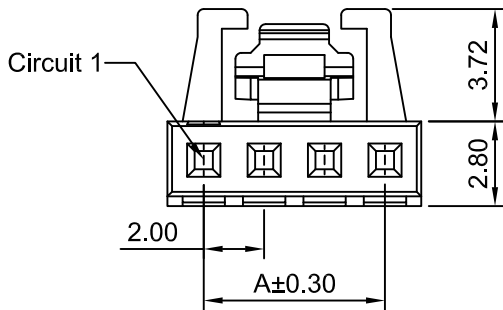
2P

SPECIFICATIONS:

Current Rating: 2.5A AC,DC
 Voltage Rating: 125V AC,DC
 Temperature Range: -40°C ~ +105°C
 Contact Resistance: 10mΩ Max.
 Insulation Resistance: 1000MΩ Min.
 Withstanding Voltage: 500V AC/minute
 Material: PBT,UL94V-0(Black)

Ordering Information & Dimensions

Part NO.	Dimensions(mm)	
	A	B
A2005HFA-2P	2.00	5.20
A2005HFA-3P	4.00	6.40
A2005HFA-4P	6.00	8.40
A2005HFA-5P	8.00	10.40
A2005HFA-6P	10.00	12.40
A2005HFA-7P	12.00	14.40
A2005HFA-8P	14.00	16.40
A2005HFA-9P	16.00	18.40
A2005HFA-10P	18.00	20.40
A2005HFA-11P	20.00	22.40
A2005HFA-12P	22.00	24.40
A2005HFA-13P	24.00	26.40
A2005HFA-14P	26.00	28.40
A2005HFA-15P	28.00	30.40
A2005HFA-16P	30.00	32.40
A2005HFA-17P	32.00	34.40
A2005HFA-18P	34.00	36.40
A2005HFA-19P	36.00	38.40
A2005HFA-20P	38.00	40.40
A2005HFA-21P	40.00	42.40
A2005HFA-22P	42.00	44.40
A2005HFA-23P	44.00	46.40
A2005HFA-24P	46.00	48.40
A2005HFA-25P	48.00	50.40



CJTconn CHANGJIANG CONNECTORS CO.,LTD.

Unit	Scale	Sheet	TITLE
mm	4:1	1 of 1	2.00mm PITCH SINGLE ROW HOUSING
DRAWN	CHK'D	APPR	
Haisen Li	Diankui Wan	Jack Yin	DRAWING NO.
General Tolerances			THIRD ANGLE PROJECTION
x.xx±0.25 x.xxx±0.20 x.xxxx±0.15 ANGLES ±1°			
A0	NEW RELEASE	2022.09.21	A2005HFA-XP
REV	DESCRIPTION	DATE	REV A0