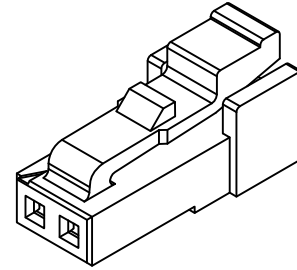


3P



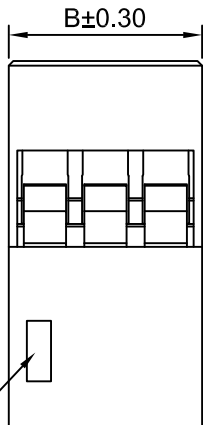
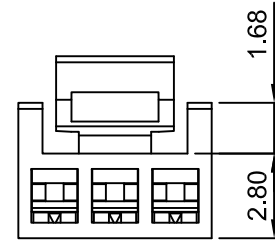
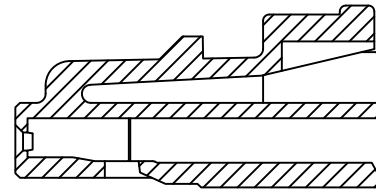
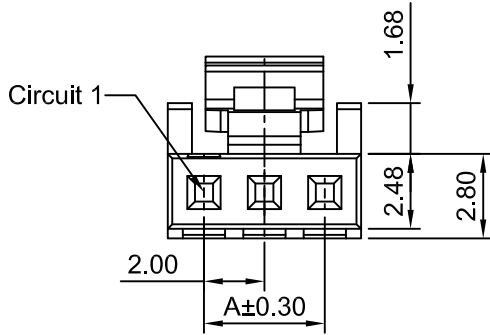
2P

SPECIFICATIONS:

Current Rating: 2.5A AC,DC
 Voltage Rating: 125V AC,DC
 Temperature Range: -40°C ~ +105°C
 Contact Resistance: 10mΩ Max.
 Insulation Resistance: 1000MΩ Min.
 Withstanding Voltage: 500V AC/minute
 Material: PBT,UL94V-0(Black)

Ordering Information & Dimensions

Part NO.	Dimensions(mm)	
	A	B
A2005HF-2P	2.00	5.20
A2005HF-3P	4.00	6.40
A2005HF-4P	6.00	8.40
A2005HF-5P	8.00	10.40
A2005HF-6P	10.00	12.40
A2005HF-7P	12.00	14.40
A2005HF-8P	14.00	16.40
A2005HF-9P	16.00	18.40
A2005HF-10P	18.00	20.40
A2005HF-11P	20.00	22.40
A2005HF-12P	22.00	24.40
A2005HF-13P	24.00	26.40
A2005HF-14P	26.00	28.40
A2005HF-15P	28.00	30.40
A2005HF-16P	30.00	32.40
A2005HF-17P	32.00	34.40
A2005HF-18P	34.00	36.40
A2005HF-19P	36.00	38.40
A2005HF-20P	38.00	40.40
A2005HF-21P	40.00	42.40
A2005HF-22P	42.00	44.40
A2005HF-23P	44.00	46.40
A2005HF-24P	46.00	48.40
A2005HF-25P	48.00	50.40



CJTconn CHANGJIANG CONNECTORS CO.,LTD.

Unit	Scale	Sheet	TITLE
mm	4:1	1 of 1	
DRAWN	CHK'D	APPR	2.00mm PITCH SINGLE ROW HOUSING
Haisen Li	Diankui Wan	Jack Yin	
General Tolerances		THIRD ANGLE PROJECTION	DRAWING NO.
x.xx±0.25 x.xxx±0.20 x.xxxx±0.15 ANGLES ±1°			A2005HF-XP
REV	DESCRIPTION	DATE	REV
A0	NEW RELEASE	2022.09.21	A0